

REV.  
A

AS9459

FEDERAL SUPPLY CLASS  
5306

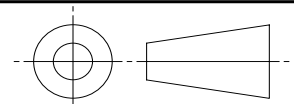
THE INITIAL SAE PUBLICATION OF THIS DOCUMENT WAS TAKEN DIRECTLY FROM U.S. MILITARY STANDARD MS9459, NOTICE 1. THIS SAE STANDARD RETAINS THE SAME PART NUMBERS ESTABLISHED BY THE ORIGINAL MILITARY DOCUMENT.

ANY REQUIREMENTS ASSOCIATED WITH QUALIFIED PRODUCTS LISTS (QPL) MAY CONTINUE TO BE MANDATORY FOR DOD CONTRACTS. REQUIREMENTS RELATING TO QPL'S HAVE NOT BEEN ADOPTED BY THE SAE FOR THIS STANDARD AND ARE NOT PART OF THIS SAE DOCUMENT.

WARNING

THIS DOCUMENT INCLUDES CADMIUM AS A PLATING MATERIAL. THE USE OF CADMIUM HAS BEEN RESTRICTED AND/OR BANNED FOR USE IN MANY COUNTRIES DUE TO ENVIRONMENTAL AND HEALTH CONCERNS. THE USER SHOULD CONSULT WITH LOCAL OFFICIALS ON APPLICABLE HEALTH AND ENVIRONMENTAL REGULATIONS REGARDING ITS USE.

THIRD ANGLE PROJECTION



ISSUED 1999-08 REVISED 2003-11

CUSTODIAN: SAE E-25

**SAE Aerospace**  
An SAE International Group

**AEROSPACE STANDARD**

BOLT, MACHINE - STEEL, AMS 6304, DIFFUSED  
NICKEL-CADMIUM PLATED HEXAGON HEAD,  
.750-16 UNJF-3A

**AS9459**  
SHEET 1 OF 4

**REV.**  
**A**

Copyright © 2003 SAE International  
All rights reserved. No part of this publication may be reproduced, stored in a retrieval system or transmitted, in any form or by any means, electronic, mechanical, photocopying, recording, or otherwise, without the prior written permission of SAE.

TO PLACE A DOCUMENT ORDER: Tel: 877-606-7323 (inside USA and Canada) Tel: 724-776-4970 (outside USA)  
Not for Resale Email: [custsvc@sae.org](mailto:custsvc@sae.org)

Copyright SAE International  
Provided by IHS under license with SAE  
No reproduction or networking permitted without license from IHS

SAE WEB ADDRESS: <http://www.sae.org>

REV.  
A

AS9459

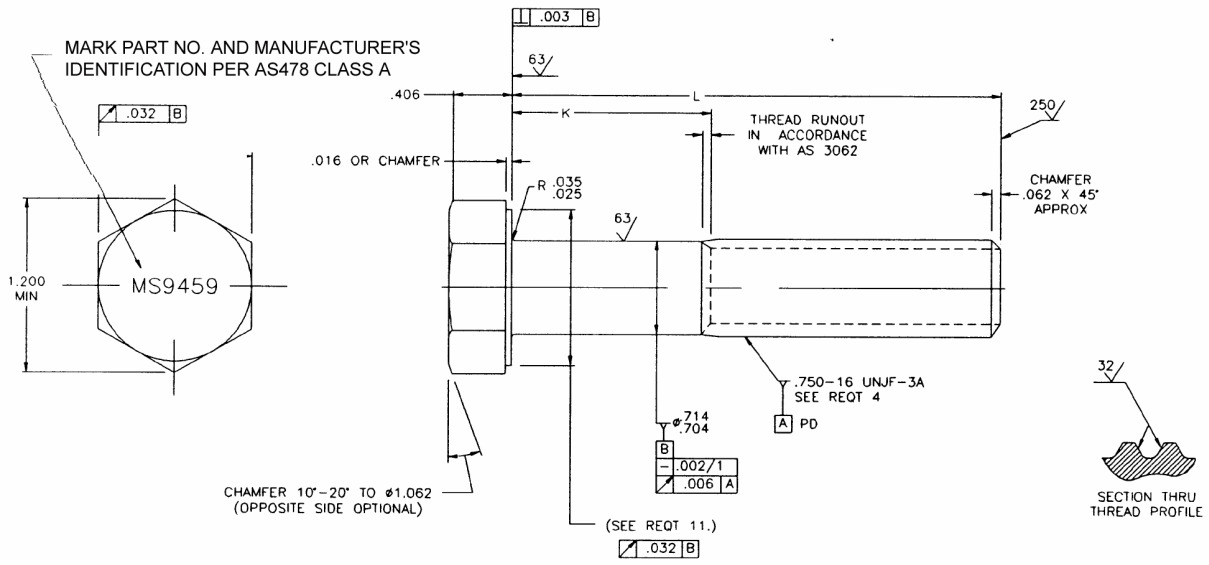


TABLE 1 - PART NUMBERS AND DIMENSIONS

PART NO.	L	K	APPROX WEIGHT LB/100	PART NO.	L	K	APPROX WEIGHT LB/100
MS9459-06	1.250	.129-.149	25.04	MS9459-31	3.625	1.815-1.875	51.47
MS9459-07	1.312	.129-.149	25.74	MS9459-32	3.750	1.940-2.000	52.86
MS9459-08	1.375	.129-.149	26.43	MS9459-33	3.875	2.065-2.125	54.25
MS9459-09	1.438	.129-.149	27.13	MS9459-34	4.000	2.190-2.250	55.64
MS9459-10	1.500	.129-.149	27.82	MS9459-35	4.125	2.315-2.375	57.03
MS9459-11	1.562	.129-.149	28.52	MS9459-36	4.250	2.440-2.500	58.42
MS9459-12	1.625	.129-.149	29.22	MS9459-37	4.375	2.565-2.625	59.81
MS9459-13	1.688	.129-.149	29.91	MS9459-38	4.500	2.690-2.750	61.20
MS9459-14	1.750	.129-.149	30.61	MS9459-39	4.625	2.815-2.875	62.59
MS9459-15	1.812	.129-.149	31.30	MS9459-40	4.750	2.940-3.000	63.98
MS9459-16	1.875	.129-.149	32.00	MS9459-41	4.875	3.065-3.125	65.37
MS9459-17	1.938	.168-.188	32.69	MS9459-42	5.000	3.190-3.250	66.76
MS9459-18	2.000	.190-.250	33.39	MS9459-43	5.125	3.315-3.375	68.15
MS9459-19	2.125	.315-.375	34.78	MS9459-44	5.250	3.440-3.500	69.54
MS9459-20	2.250	.440-.500	36.17	MS9459-45	5.375	3.565-3.625	70.93
MS9459-21	2.375	.565-.625	37.56	MS9459-46	5.500	3.690-3.750	72.33
MS9459-22	2.500	.690-.750	38.95	MS9459-47	5.625	3.815-3.875	73.72
MS9459-23	2.625	.815-.875	40.34	MS9459-48	5.750	3.940-4.000	75.11
MS9459-24	2.750	.940-1.000	41.73	MS9459-49	5.875	4.065-4.125	76.50
MS9459-25	2.875	1.065-1.125	43.12	MS9459-50	6.000	4.190-4.250	77.89
MS9459-26	3.000	1.190-1.250	44.51				
MS9459-27	3.125	1.315-1.375	45.90				
MS9459-28	3.200	1.440-1.500	47.29				
MS9459-29	3.375	1.565-1.625	48.68				
MS9459-30	3.500	1.690-1.750	50.08				

**SAE Aerospace**  
An SAE International Group

**AEROSPACE STANDARD**

BOLT, MACHINE - STEEL, AMS 6304, DIFFUSED  
NICKEL-CADMIUM PLATED HEXAGON HEAD,  
.750-16 UNJF-3A

**AS9459**  
SHEET 2 OF 4

**REV.  
A**